



INSTALLATION INSTRUCTIONS

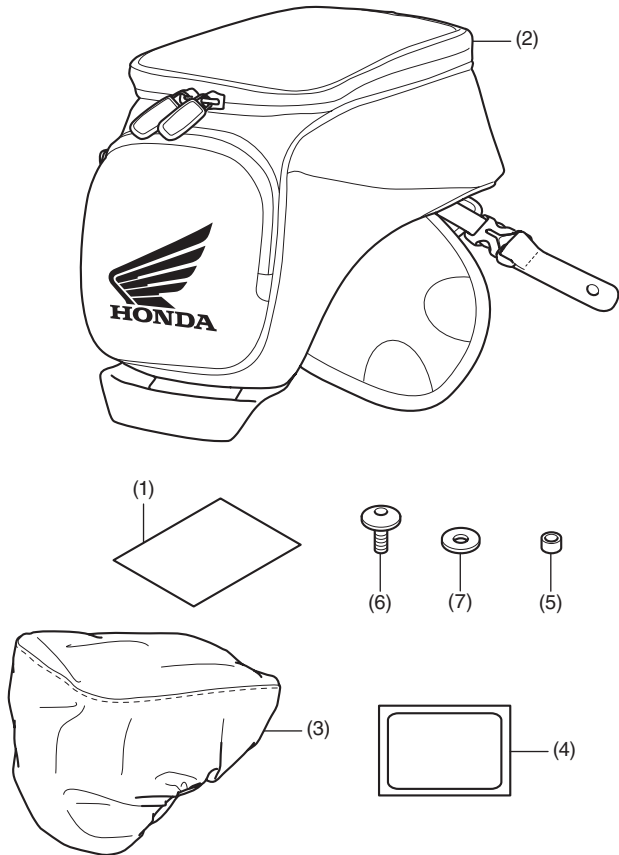
Accessory	Application	Publication No.
TANK BAG (3 L) P/N 08L89-MKS-E00	CRF1100A/A2/A4/D/D2/D4	MII
		Issue Date
		June 2021

Accessory	Application	Publication No.
TANK BAG (3 L) P/N 08L89-MKS-E00	CRF1100A/A2/A4/D/D2/D4	MII
		Issue Date
		June 2021

Accessory	Application	Publication No.
TANK BAG (3 L) P/N 08L89-MKS-E00	CRF1100A/A2/A4/D/D2/D4	MII
		Issue Date
		June 2021

Honda Dealer: Please give a copy of these instructions to your customer.

PARTS LIST



No.	Description	Qty
(1)	URL paper	1
(2)	Tank bag	1
(3)	Rain cover	1
(4)	Protection film	2
(5)	Collar	2
(6)	6 mm screw	2
(7)	Washer	2

TOOLS AND SUPPLIES REQUIRED

- Hex wrench (5 mm)
- Tape
- Scissors
- Isopropyl alcohol
- Shop towel
- Torque wrench

TORQUE CHART

Tighten all screws, bolts, and nuts to their specified torque values. Refer to the Service Manual for the torque values of the removed parts.

Item	N-m	kgf-m	lbf-ft
6 mm screw	10	1.0	7

MAXIMUM LOADING CAPACITY

- The weight of the cargo must not exceed the following maximum loading capacity:

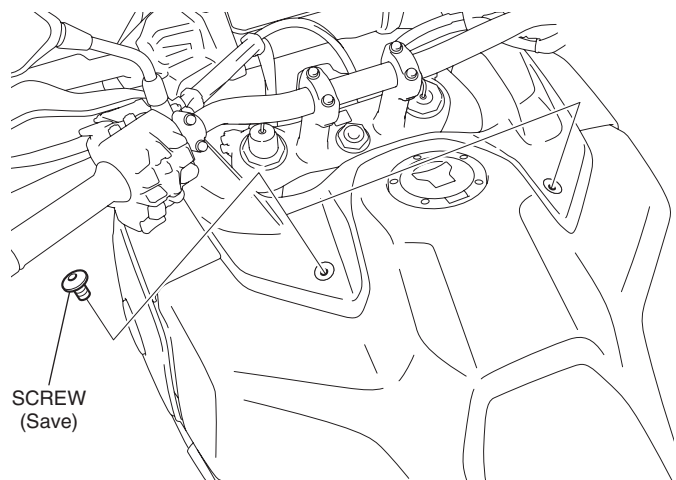
Maximum Loading Capacity	
Tank bag	1.5 kg (3.3 lb)

INSTALLATION

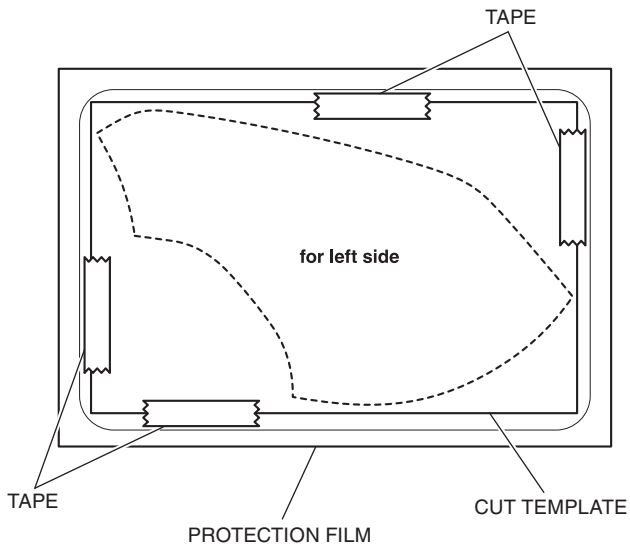
NOTE:

- Heat the bonding surfaces with a hair dryer if the ambient air temperature is below 70°F (21°C).
- The adhesive reaches full strength in 72 hours. Wait at least 24 hours before riding your motorcycle.
- Before installation, remove all dust, sand, etc. from fuel tank and tank bag, as otherwise the fuel tank may be damaged.
- Although the illustration is of CRF1100D4, use the same procedures for other models.

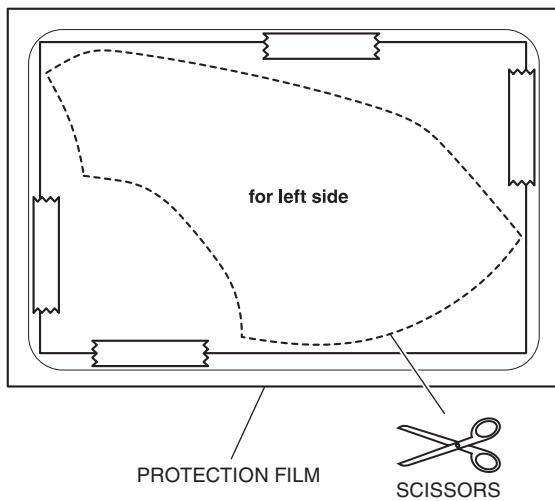
- Remove the screws as shown.



2. Cut out the template along the solid line and attach it to the protection film.
 - **Perform this step on CRF1100A2/A4/D2/D4 only.**



3. Cut both the template and protection film together along the dotted line as shown.
 - **Perform this step on CRF1100A2/A4/D2/D4 only.**

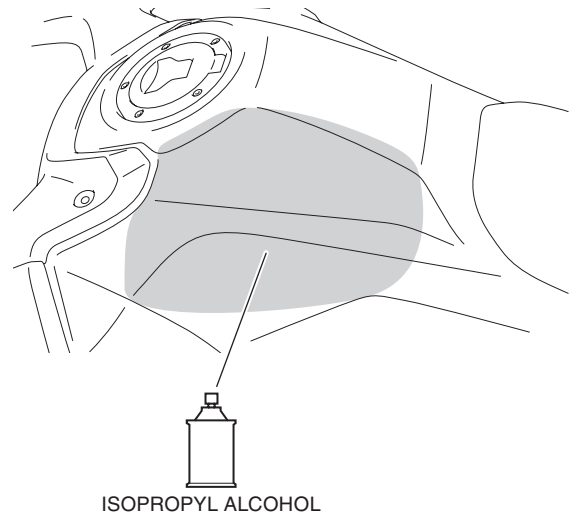


4. Clean the surface of the area shown using an isopropyl alcohol.

<Left side> CRF1100A2/A4/D2/D4



<Left side> CRF1100A/D

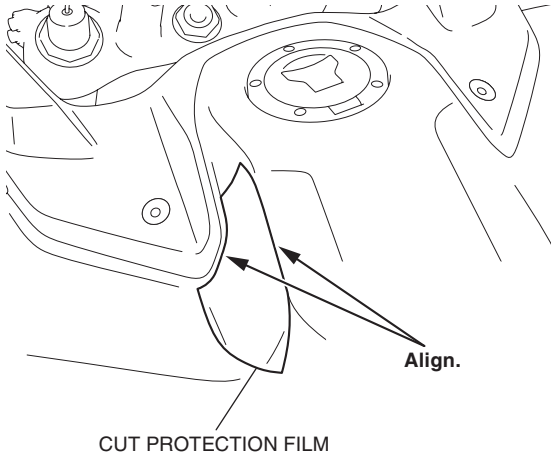


5. Attach the protection film to the fuel tank as shown.

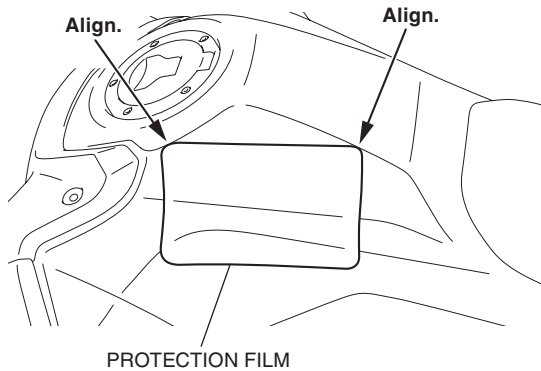
PROTECTION FILM
Remove the adhesive backing before attaching.



<CRF1100A2/A4/D2/D4>



<CRF1100A/D>

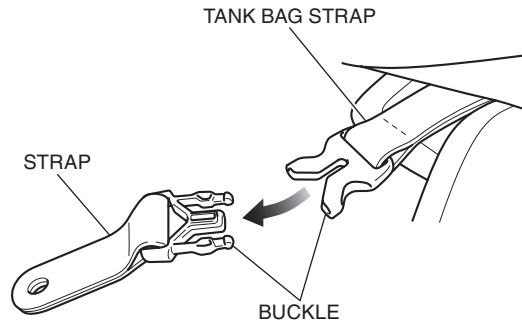


6. Install the right side of the protection film in the same manner as the left side.

7. Remove the straps as shown.



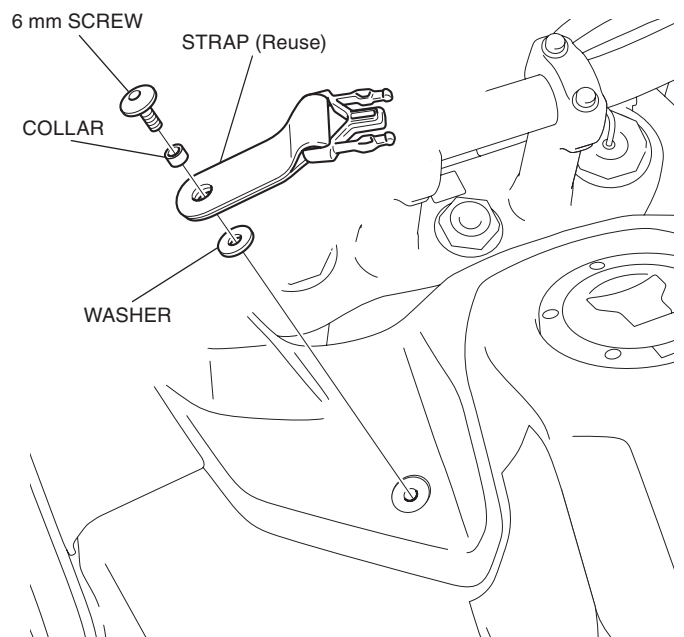
Remove the buckles as shown.
<Left side>



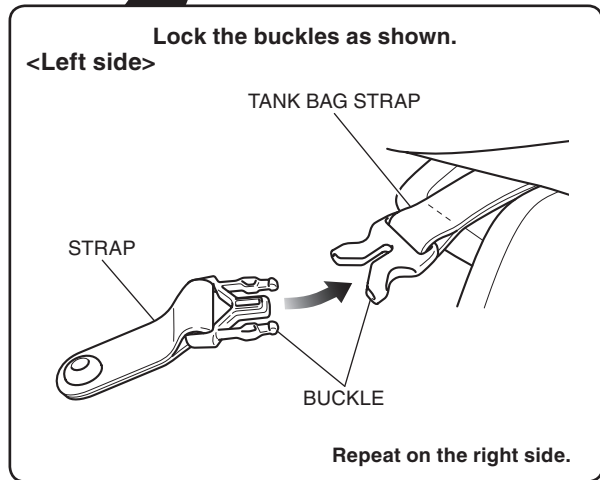
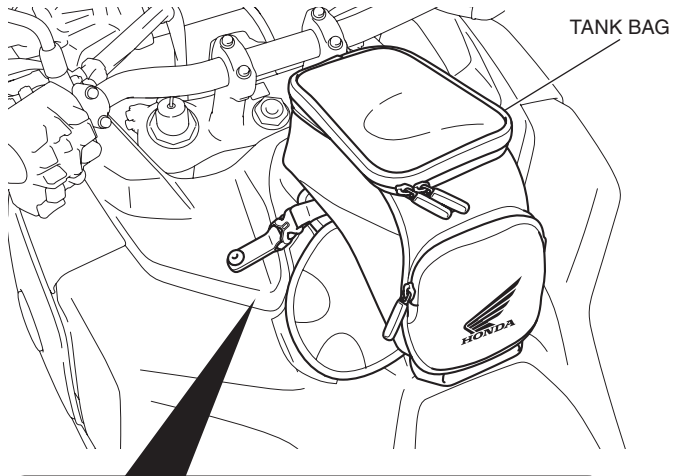
Repeat on the right side.

8. Install the strap as shown.
• Repeat on the right side.

<Left side>



9. Install the tank bag on the fuel tank as shown.



<TEMPLATE>

CRF1100A2/A4/D2/D4 only

